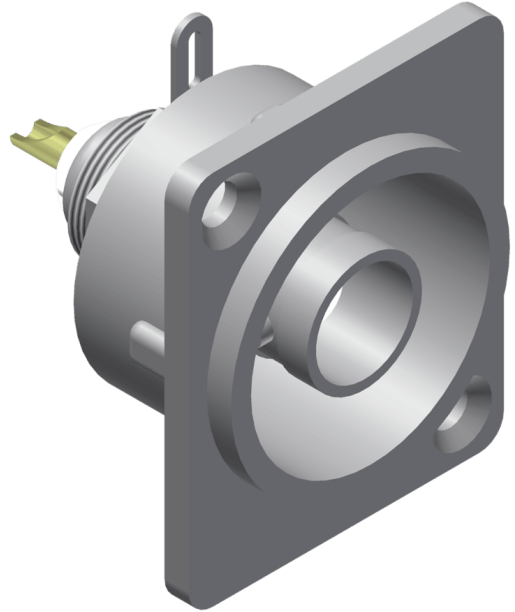


Product information:

D-Size BNC female grounded connector (BNC ground, outer ring, is connected with D-size housing)



Product Features:

Application	null
	null
Series	null

Variants:

- VCD72 - Connector